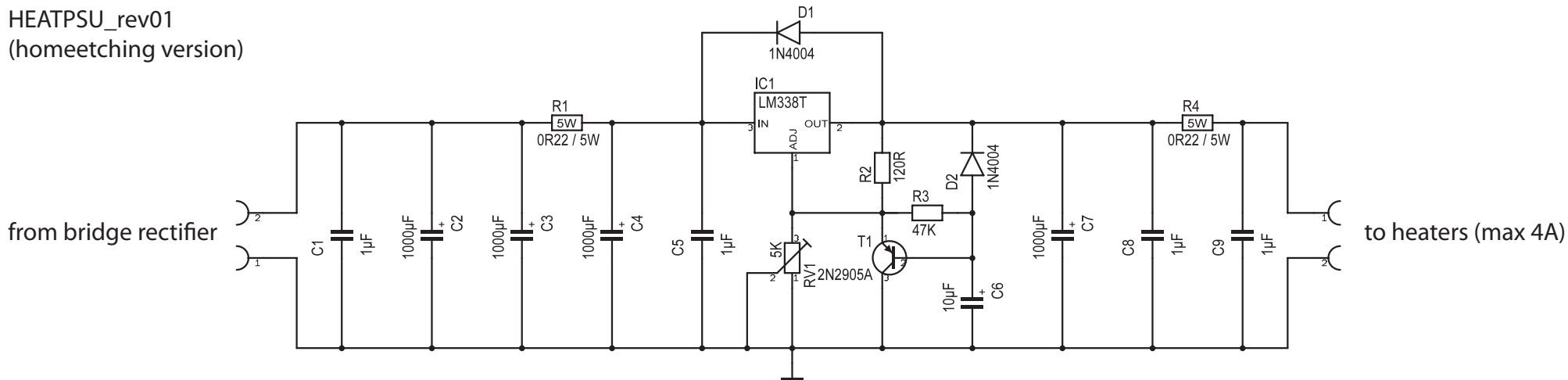
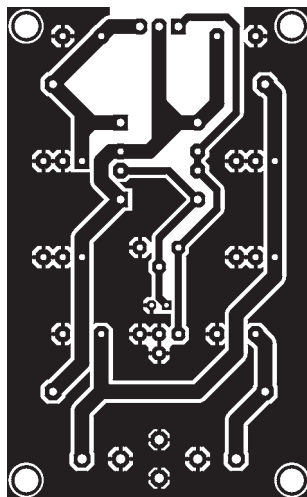


slow start heater PSU
(LM338T needs a proper heatsink)

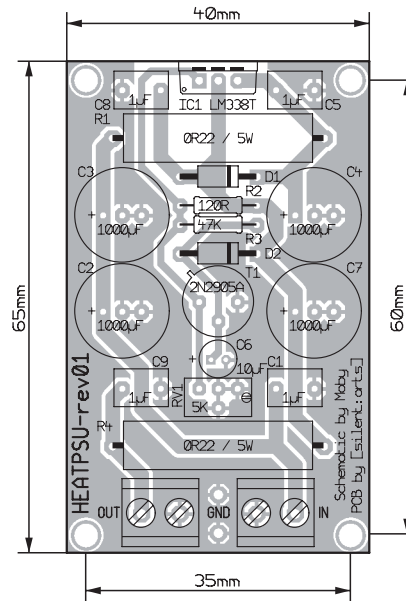
HEATPSU_rev01
(homeetching version)



mirrored copper side:



PCB overlay:



schematic initiated by moby
PCB by [silent:arts]
30 NOV 2008

untested, use at your own risk