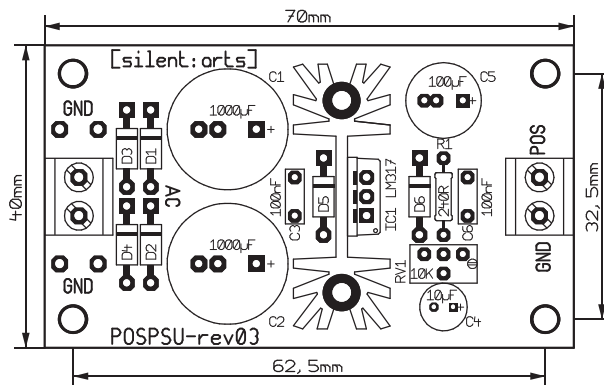
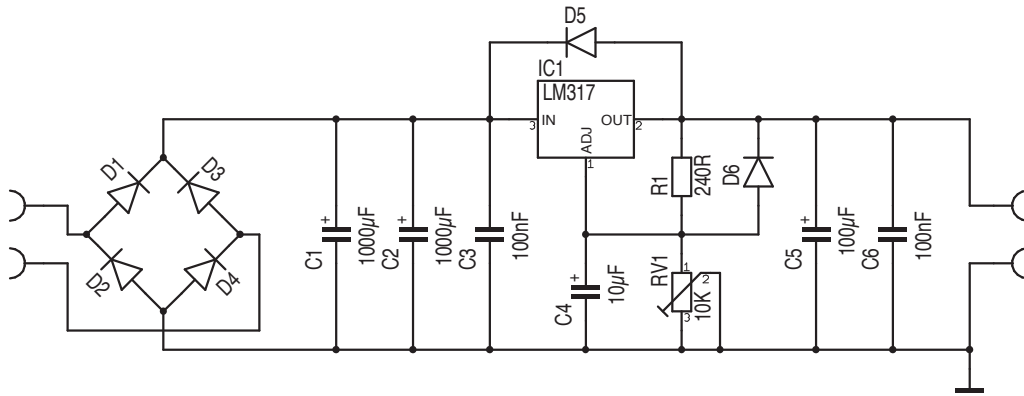


51X/AUDIO

by [silent:arts]

POSPSU_rev03



Resistors:

1x R1
1x RV1

240R
10K

Reichelt:

METALL 240
64Y-10K

Conrad:

420662
422359

Condensers:

2x C3, C6
1x C4
1x C5
2x C1, C2

100nF
10µF
100µF
1000µF

MKS-2 100N
RAD FC 10/50
RAD FC 100/50
RAD FC 1.000/50

455393
421986
421992
422003

Diodes:

6x D1,D2,D3,D4,D5,D6

1N400X

1N 4007

162272

IC:

1x IC1

LM317

LM 317-220

155587

Connectors:

2x Screw Terminal
1x Faston Connector

2pin

AKL 101-02
FS-P 6,35

731877
732026

Hardware:

1x Heatsink

V PR32/25,4

188093