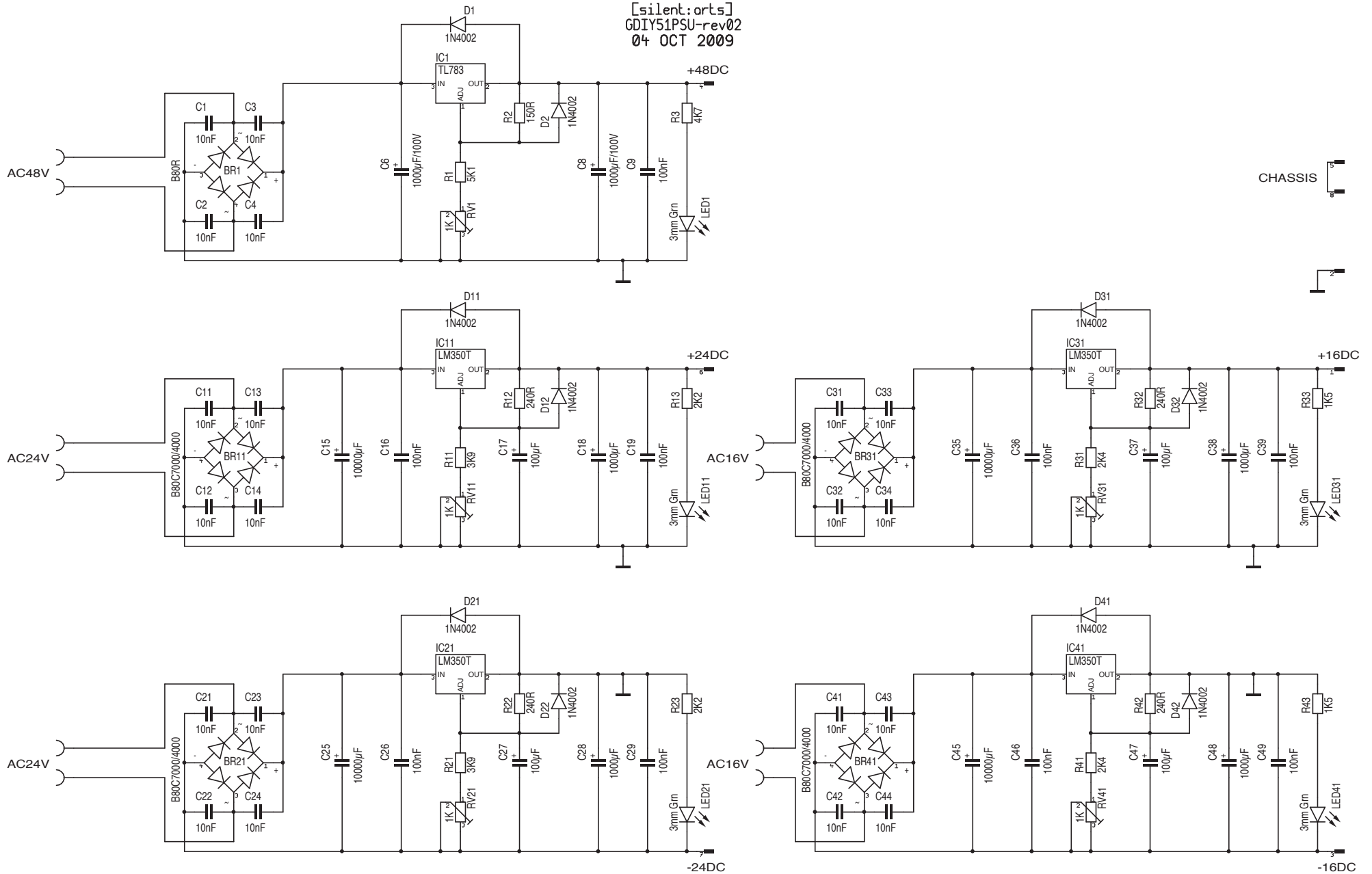


# 51X AUDIO

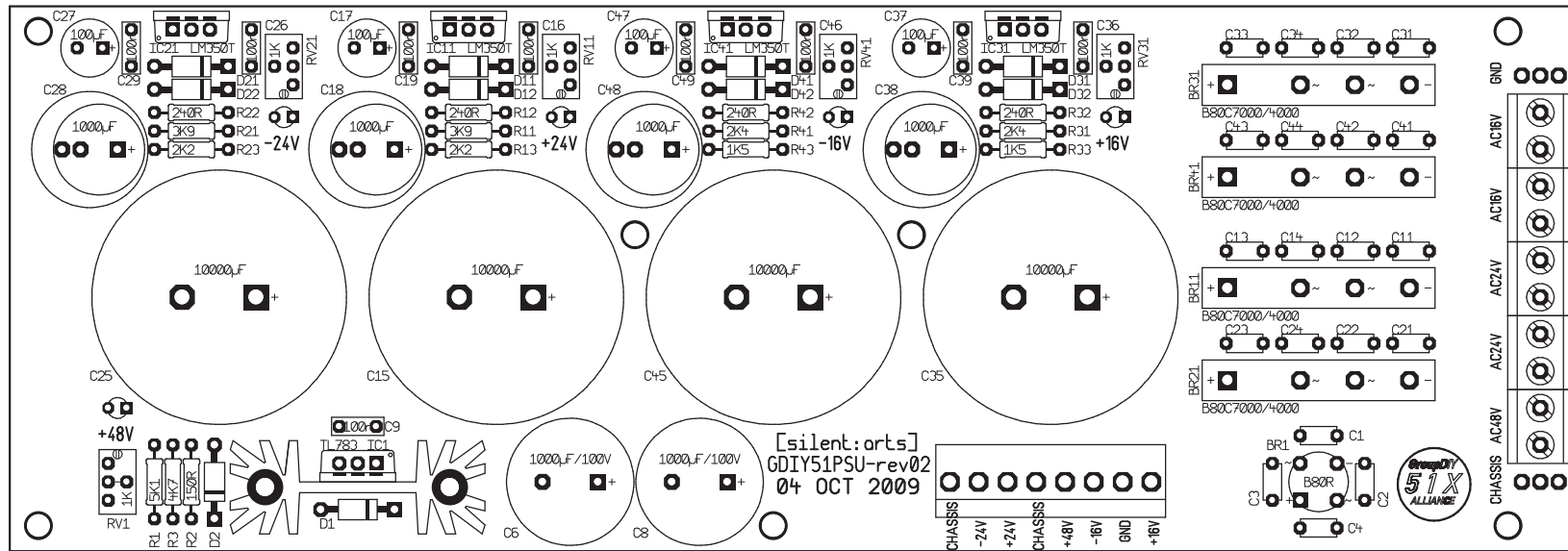
by [silent:arts]

[silent:arts]  
GDIY51PSU-rev02  
04 OCT 2009



# 51X AUDIO

by [silent:arts]



## Resistors:

1x R1	5K1	0.5W / 0207
1x R2	150R	0.5W / 0207
1x R3	4K7	0.5W / 0207
2x R11,R21	3K9	0.5W / 0207
4x R12,R22,R32,R42	240R	0.5W / 0207
2x R13,R23	2K2	0.5W / 0207
2x R31,R41	2K4	0.5W / 0207
2x R33,R43	1K5	0.5W / 0207
5x RV1,RV11,RV21,RV31,RV41	1K	Multiturn Trimmer

## C-Ceramic:

20x C1,C2,C3,C4,C11,C12,C13,C14, C21,C22,C23,C24, C31,C32,C33,C34, C41,C42,C43,C44	10nF	100V / Pitch 5.08mm
---	------	---------------------

## C-Poly or Ceramic:

9x C9,C16,C19,C26,C29, C36,C39,C46,C49	100nF	50V / Pitch 5.08mm
---	-------	--------------------

## C-Electrolytic:

4x C17,C27,C37,C47	100µF	35V / Pitch 3.5mm
4x C18,C28,C38,C48	1000µF	35V / Pitch 5.08 - 7.62mm
2x C6,C8	1000µF	100V / Pitch 7.62mm
4x C15,C25,C35,C45	10000µF	50V / Pitch 10.16mm Snap In

## Diodes:

10x D1,D2,D11,D12,D21,D22, D31,D32,D41,D42	1N4002	DO41
1x BR1	B80R	
4x BR11,BR21,BR31,BR41	B80C7000/4000	
5x LED1,LED11,LED21, LED31,LED41		Diameter 3mm

## ICs:

1x IC1	TL783	TO220
4x IC11,IC21,IC31,IC41	LM350T	TO220

## Heatsink:

1x		SK-104-38.1
----	--	-------------

## Connectors:

1x	Molex 8 Pin	Pitch 3.96mm
1x	Screw Terminal 10 Pin	Pitch 5.08mm
2x	Faston Connector	Pitch 5.08mm